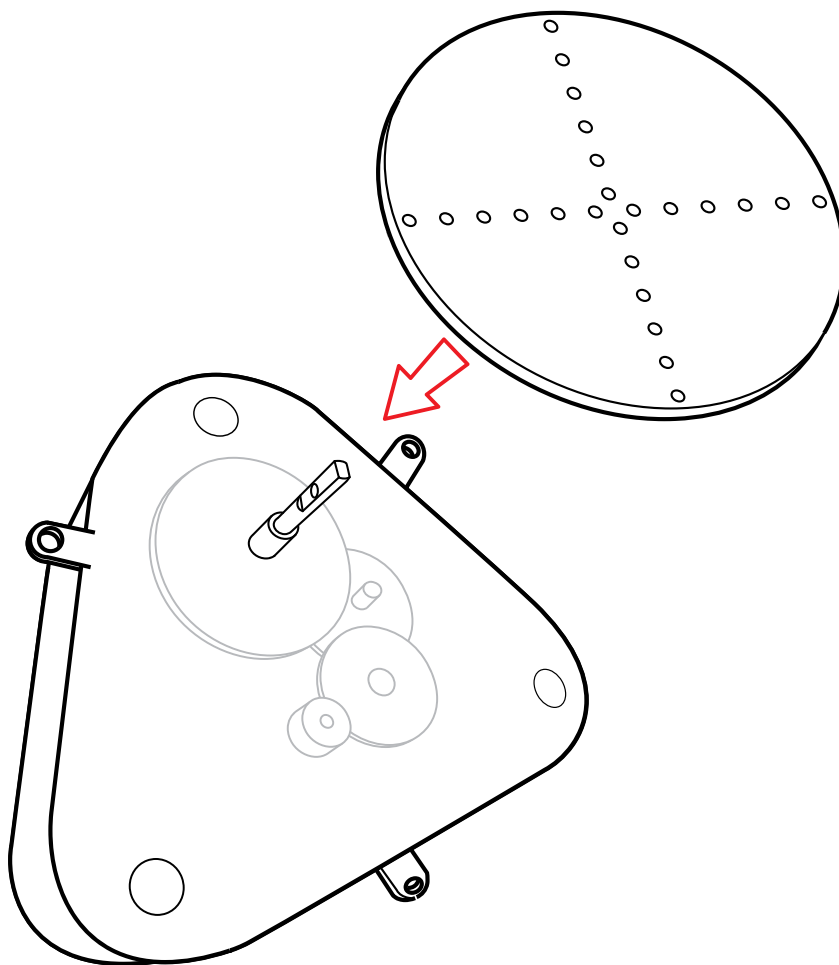


# 4 in 1 Motor

Rocket Production Technical Specification Sheet

WE WON'T  
BE BEATEN  
ON PRICE



## 4 Movement options in 1 Motor

UP & DOWN    CURVED    LEFT & RIGHT    CIRCULAR

### Dimensions

- Height: 3.4" (87mm)
- Width: 3.5" (89mm)
- Depth: 1.7" (43mm)

### General product information

- 3 rpm & 9 rpm standard options (others available)
- Long battery lifespan
- Compact and flexible
- Attractive and robust casing
- Supports up to 3kg
- Easy attach all 4 movement options
- Low cost and versatile

### Receiving the product

- External packing: this will vary depending on the volume ordered (please request packing information on placement of order)

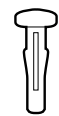
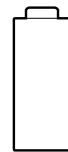
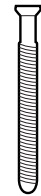
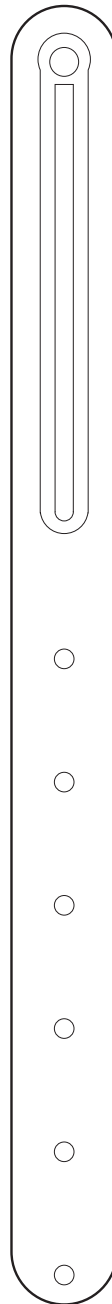
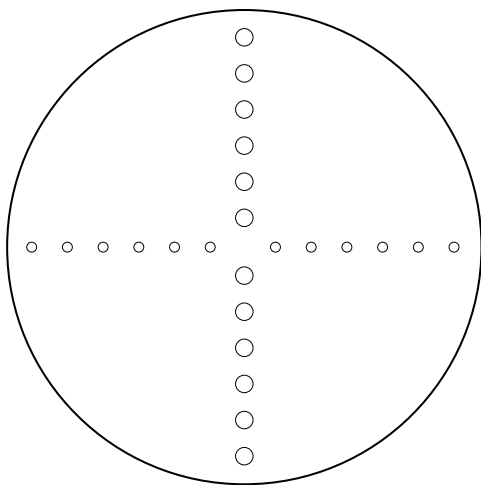
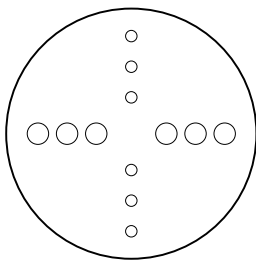
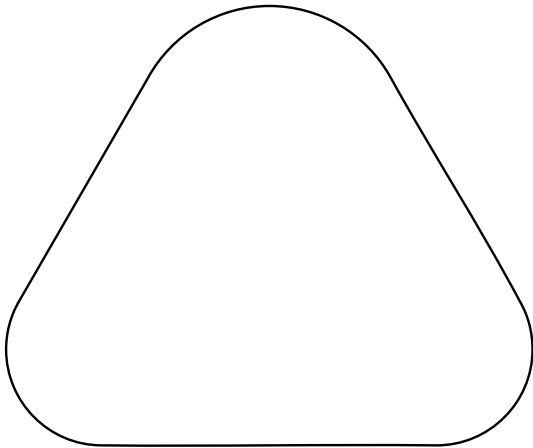
**ROCKET  
PRODUCTION**



# 4 in 1 Motor

Rocket Production Technical Specification Sheet

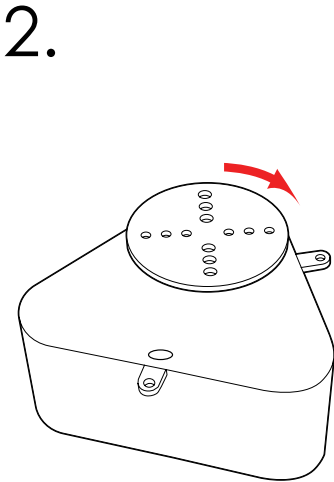
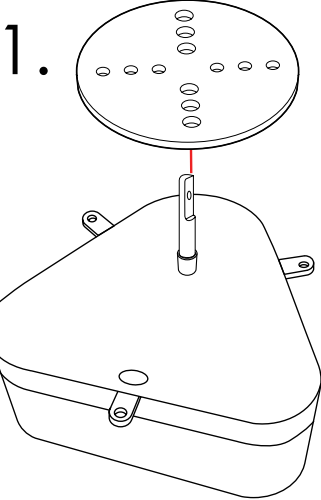
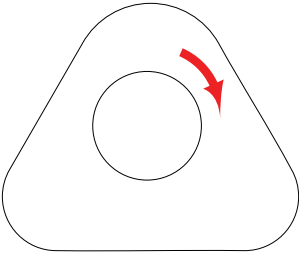
## Motor Assembly: Parts List



# 4 in 1 Motor

Rocket Production Technical Specification Sheet

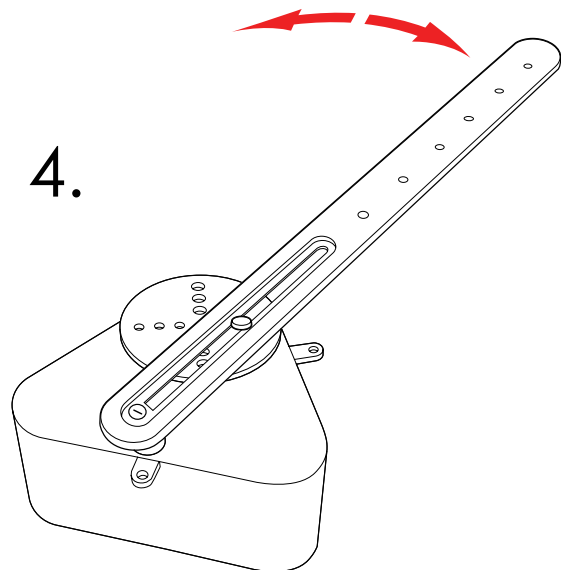
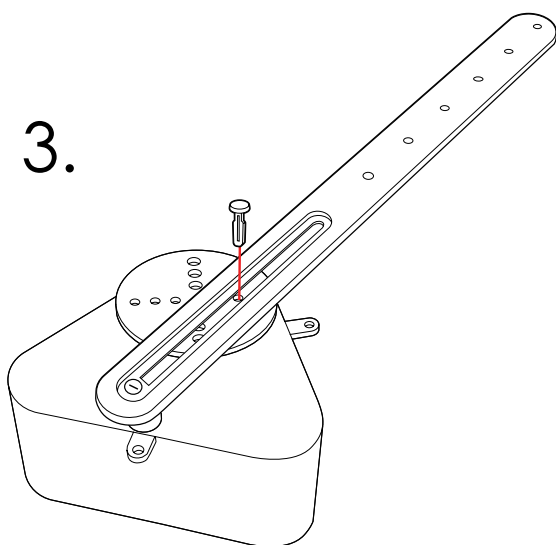
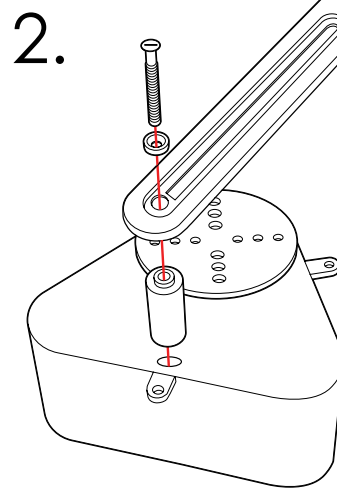
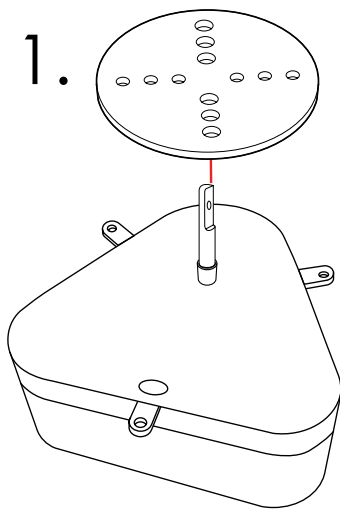
Motor Assembly Instructions: Rotary



# 4 in 1 Motor

Rocket Production Technical Specification Sheet

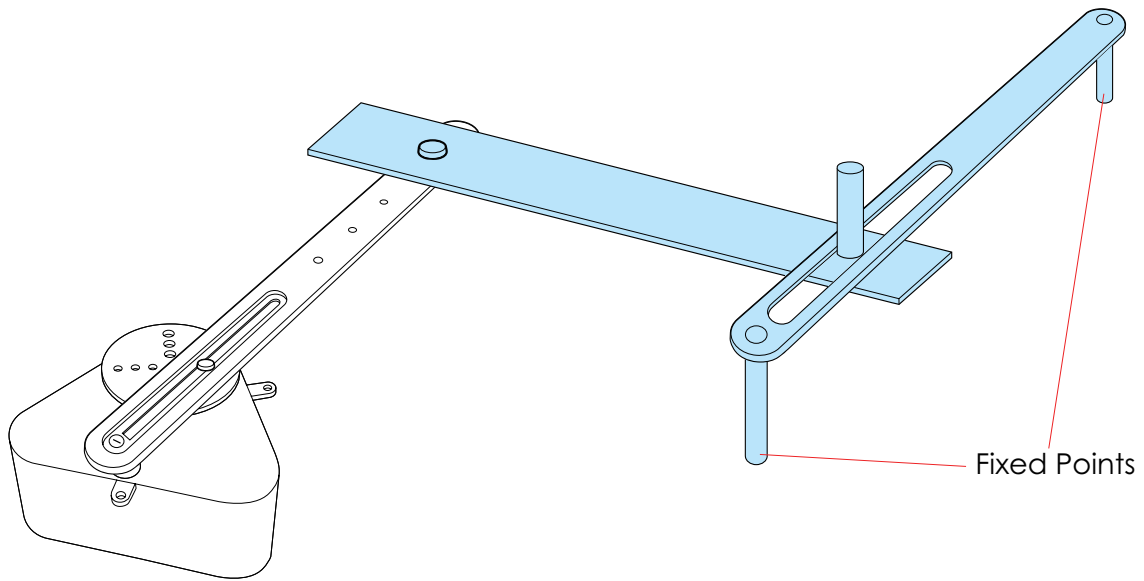
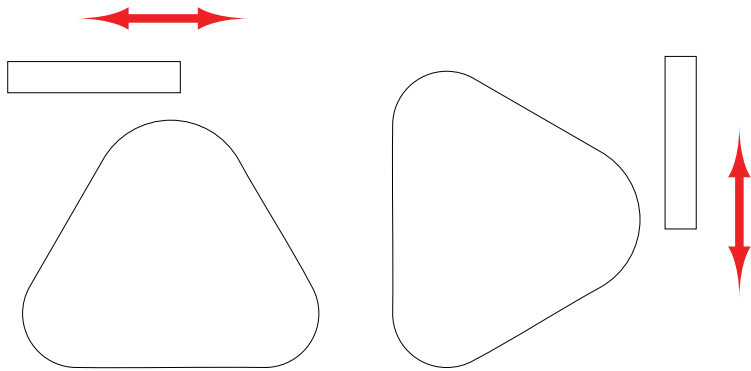
## Motor Assembly Instructions: Pendulum




# 4 in 1 Motor

Rocket Production Technical Specification Sheet

## Motor Assembly Instructions: Back and Forth



 Parts not included